

4K WDR Ultra-HD Vari-focal Bullet Network Camera

IPC268ER9-DZ



Key Features

Optics

- Day/night functionality
- SmartIR, up to up to 100m (328 ft) IR distance
- Up to 120 dB OpticalWDR(Wide Dynamic Range)
- 2D/3D DNR (Digital Noise Reduction)
- Optical glass window with higher light transmittance

Compression

- Ultra 265,H.265, H.264, MJPEG
- Embedded smart algorithm
- Triple streams
- ROI (Region of Interest)
- 9:16 corridor mode
- Customized OSD

Network

- ONVIF Conformance

Structure

- Wide temperature range: -40°C to 60°C (-40°F to 140°F)
- Wide voltage range of $\pm 25\%$
- IP67
- 3-Axis

Specifications

IPC268ER9-DZ																
Camera																
Sensor	1/2.5", progressive scan, 8.0 megapixel, CMOS															
Lens	2.8~12mm@F1.6, DC-Iris, AF automatic focusing and motorized zoom lens															
DORI Distance	<table border="1"> <thead> <tr> <th>Lens</th> <th>Detect(m)</th> <th>Observe(m)</th> <th>Recognize(m)</th> <th>Identify(m)</th> </tr> </thead> <tbody> <tr> <td>2.8mm</td> <td>77.8</td> <td>31.1</td> <td>15.6</td> <td>7.8</td> </tr> <tr> <td>12mm</td> <td>333.3</td> <td>133.3</td> <td>66.7</td> <td>33.3</td> </tr> </tbody> </table>	Lens	Detect(m)	Observe(m)	Recognize(m)	Identify(m)	2.8mm	77.8	31.1	15.6	7.8	12mm	333.3	133.3	66.7	33.3
	Lens	Detect(m)	Observe(m)	Recognize(m)	Identify(m)											
	2.8mm	77.8	31.1	15.6	7.8											
12mm	333.3	133.3	66.7	33.3												
Angle of View (H)	79.6°~34.9°															
Angle of View (V)	64°~16.6°															
Angle of View (O)	1.3.5°~42.9°															
Adjustment angle	<table border="1"> <thead> <tr> <th>Pan: 0°~360°</th> <th>Tilt: 0°~90°</th> <th>Rotate: 0°~360°</th> </tr> </thead> <tbody> <tr> <td></td> <td></td> <td></td> </tr> </tbody> </table>	Pan: 0°~360°	Tilt: 0°~90°	Rotate: 0°~360°												
Pan: 0°~360°	Tilt: 0°~90°	Rotate: 0°~360°														
Shutter	Auto/Manual, 1~1/100000s															
Minimum Illumination	Colour: 0.02 Lux (F1.6, AGC ON) 0 Lux with IR															
Day/Night	IR-cut filter with auto switch (ICR)															
Digital noise reduction	2D/3D DNR															
S/N	>55dB															
IR Range	Smart-IR , up to 100m (328ft) IR range															
Defog	Digital Defog															
WDR	120dB															
Video																
Video Compression	Ultra 265, H.265, H.264, MJPEG															
Frame Rate	Main Stream: 8MP(3840×2160) : Max. 30 fps; 2MP (1920×1080): Max. 30 fps; Sub Stream: 2MP (1920×1080): Max. 30 fps; Third Stream: D1(720×576) : Max. 30fps															
9:16 Corridor Mode	Supported															
HLC	Supported															
BLC	Supported															
OSD	Up to 8 OSDs															
Privacy Mask	Up to 8 areas															
ROI	Up to 8 areas															
Motion Detection	Up to 4 areas															

Smart

Behavior Detection	Intrusion, cross line, motion detection
Intrusion	Enter and loiter in a pre-defined virtual region
cross line	Cross a pre-defined virtual line
motion detection	Moving within a pre-defined virtual region
Recognition	Face detection、Audio detection
Intelligent Identification	Defocus, Scene Change, Object Left, Object Moving
Statistical Analysis	People counting
General Function	Watermark, IP Address Filtering, Tampering Alarm, Alarm input, Alarm output, Access Policy, ARP Protection, RTSP Authentication, User Authentication

Audio

Audio Compression	G.711
Two-way audio	Supported
Suppression	Supported
Sampling Rate	8 KHZ

Storage

Edge Storage	Micro SD, Up to 256 GB
Network Storage	ANR

Network

Protocols	IPv4, IGMP, ICMP, ARP, TCP, UDP, DHCP, PPPoE, RTP, RTSP, RTCP, DNS, DDNS, NTP, FTP, UPnP, HTTP, HTTPS, SMTP, 802.1x, SNMP
Compatible Integration	ONVIF(Profile S, Profile G, Profile T),API

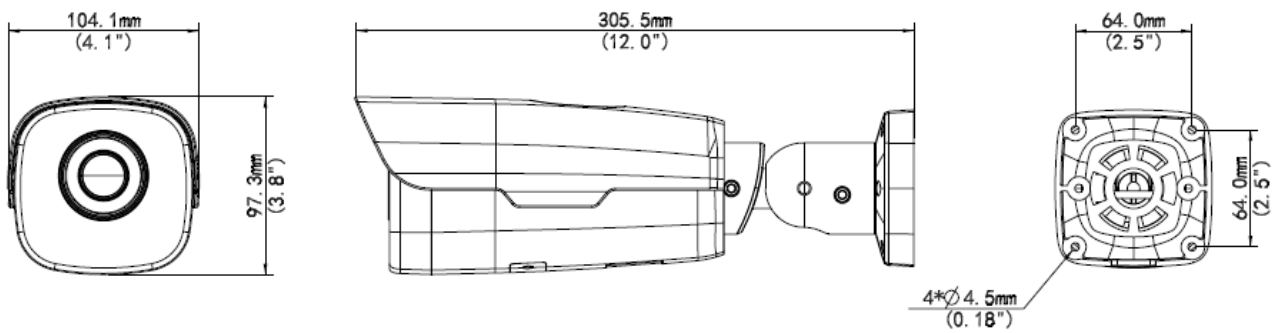
Interface

Audio I/O	Audio cable
	1 Input: impedance 35 kΩ; amplitude 2 V [p-p]
	1 Output: impedance 600 Ω; amplitude 2 V [p-p]
Alarm I/O	2/ 1
Serial Port	1 RS485
Network	1 RJ45, 10M/100M Base-TX Ethernet
Video Output	1 BNC, impedance 75 Ω; amplitude 1 V [p-p]

General

Power	DC12V±25%, AC24V±25%, PoE (IEEE802.3 at)
	Power consumption: Max. 13.7W
Dimensions (L × W × H)	305.5 ×104.1 ×97.3mm (12.0" × 4.1" × 3.8")
Weight	1.65 kg (3.6 lb)
Working Environment	-40°C ~ +60°C (-40°F ~ 140°F), Humidity:10%~95% RH(non-condensing)
Ingress Protection	IP67
Reset Button	Supported

Dimensions



Zhejiang Uniview Technologies Co., Ltd.

South Tower, Building 10, Wanlun Science Park, 88 Jiangling Road, Hangzhou, P.R.China 310051

Email: overseasbusiness@uniview.com; globalsupport@uniview.com

<http://www.uniview.com>

©2016-2018 Zhejiang Uniview Technologies Co., Ltd. All rights reserved.

*Product specifications and availability are subject to change without notice.